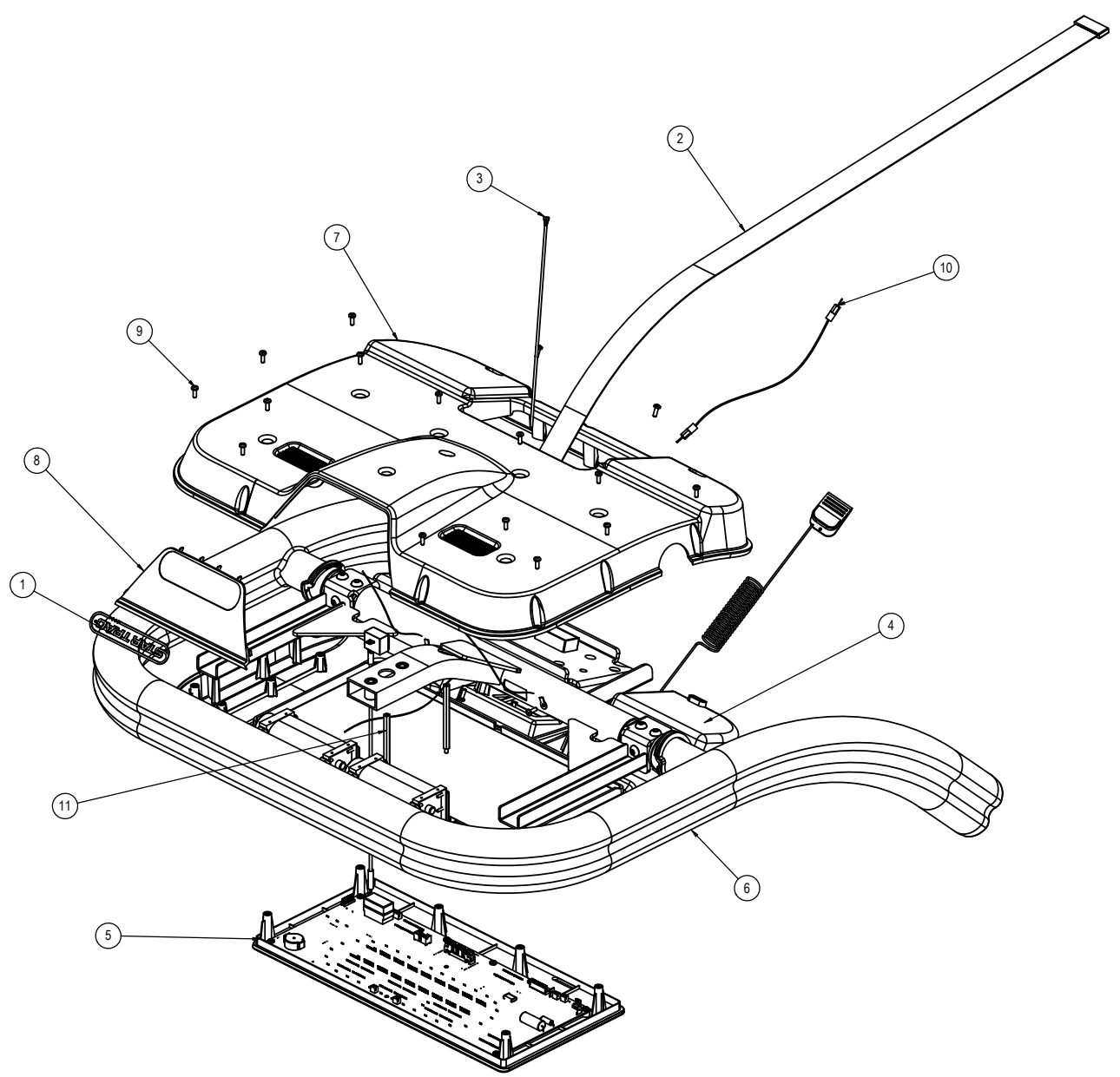


REVISION HISTORY				
REV	DATE	DESCRIPTION	ECO	BY
A	08-01-07	INITIAL RELEASE OF PRODUCTION	11699	SJ



ITEM NO.	STAR TRAC P/N	INRAY P/N	DESCRIPTION	Default/ QTY.
1	050-2112	050-2112	LABEL, STARTRAC, S-TR BACK	1
2	740-6021	740-6021	Assy, Cable, Main Interace, Upper	1
3	740-6026	740-6026	Assy, Cable, TV Power, Sport Tread	1
4	740-6041	740-6041	ASSY, FRONT CONSOLE, S-TR	1
5	740-6094	740-6094	ASSY, DISPLAY PANNEL, TRc	1
6	740-6095	740-6095	ASSY, HANRAIL & HOTBAR	1
7	740-6103	STDP3302	SHROUD, BACK, S-TR	1
8	740-6104	STDP3308	COVER, PVS DOOR, S-TR	1
9	740-6502	GB6560M4*12	SCREW, GB6560M4*12	17
10	740-6028	740-6028	Assy, Cable, Coax, Upper, Sport Tread	1
11	740-6127	STDP6002	STANDOFF, PCB SUPPORT, S-TRc	2

NOTICE OF PROPRIETARY INFORMATION  
 THIS DOCUMENT SHALL NOT BE REPRODUCED NOR SHALL THE INFORMATION CONTAINED HEREIN BE USED BY OR DISCLOSED TO OTHER EXCEPT AS EXPRESSLY AUTHORIZED BY UNISEN INC. U.S.A. STAR TRAC.

DOCUMENT STATUS:  
 RELEASE

NOTES:

CLASS OF WORK	UNLESS OTHERWISE SPECIFIED DIMS ARE IN mm. TOLERANCES FOR MEASURE OF LENGTH ARE:							
	0.5 to 3	>3 to 6	>6 to 30	>30 to 120	>120 to 400	>400 to 1000	>1000 to 2000	>2000
FINE	±0.05	±0.05	±0.1	±0.15	±0.2	±0.3	±0.5	----
MEDIUM	X ±0.1	±0.1	±0.2	±0.3	±0.5	±0.8	±1.2	±2
COARSE	±0.2	±0.3	±0.5	±0.8	±1.2	±2	±3	±4
VERY COARSE	----	±0.5	±1	±1.5	±2.5	±4	±6	±8

MATERIAL SEE BOM		THIRD ANGLE PROJECTION		UNISEN, INC. DBA <b>STAR TRAC</b> 14410 Myford Road Irvine CA 92606	
FINISH N/A		DRAWN SJ	INITIAL SJ	DATE 07-25-07	STARTRAC PART NO. <b>740-6047</b>
VENDOR: P/N: 740-6047		CHECKED	TITLE ASSY, HANDRAIL & DISPALY, S-TRc		REV A
		APPROVED	SCALE: 1:4		SHEET 1 OF 1
		U.O.M.		MM	SHEET SIZE: C